

FAK-1

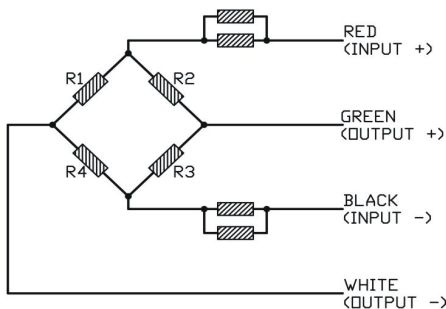
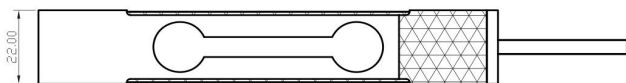
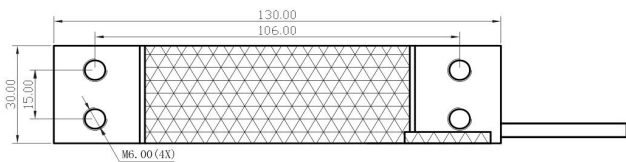
平行梁式称重传感器
Application: Kitchen scales

材质: 铝合金
Materials: Aluminum alloy

FAK-1型采用铝合金材质，无色阳极氧化处理，硅胶密封，Ip65。适用于计价秤、计重秤及计数秤等。

Model FAK-1 is constructed using aluminum alloy material, colorless anodized, silicon rubber seal, Ip65.

Application: Pricing scale, weighing scales and counting scales.



主要技术指标 Specifications

量程 Capacity	6/10/15/20/ 35/40/50KG
综合误差 Comprehensive Error	C3
输出灵敏度 Output Sensitivity	2.0 ± 0.2mV/V
非线性 Nonlinearity	±0.02%F.S
重复性 Repeatability	±0.02%F.S
滞后性 Hysteresis	±0.02%F.S
蠕变 Creep	±0.02%(20min)F.S
零点温度漂移 Temperature effect on Zero	≤ ±0.02%F.S/10°C
额定输出温度漂移 Temperature effect on Output	≤ ±0.02%F.S/10°C
零点输出 Zero Output	±0.04mV/V
输入电阻 Input resistance	405 ± 10Ω
输出电阻 Output resistance	350 ± 2Ω
绝缘电阻 Insulation Resistance	≥ 2000MΩ/100VDC
推荐激励电压 Excitation Voltage	5~10 (DC) V
工作温度范围 Temperature compensated	0-40°C
安全过载 Safe overload	150%F.S